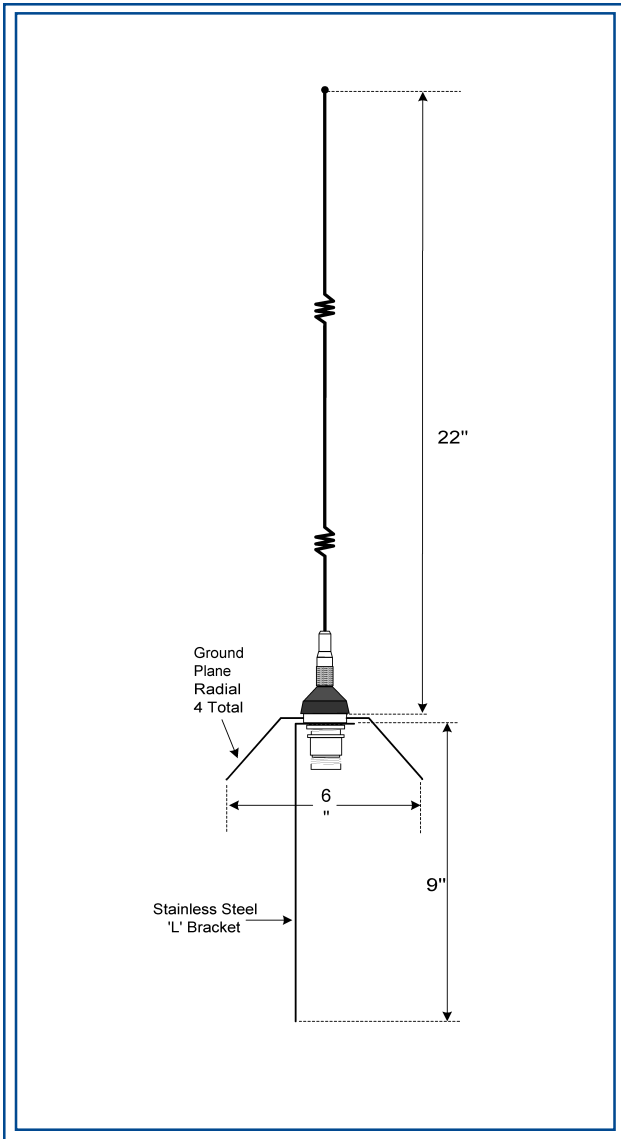


Omni A-O5B

896-940 MHz 5dB

OMNI DIRECTIONAL ANTENNA



Data-Linc Group: A-O5B, 5d
Frequency: 896-940 MHz

Antenna and bracket hardware included in Data-Linc Group Antenna Assembly part numbers A-O through A-O5.

ELECTRICAL/MECHANICAL SPECIFICATIONS

Electrical

Frequency. 896-940 MHz

Gain. 5dB

Rod Coil Type. Trilinear/Open

VSWR. 1.5:1 or less

Nominal Impedance. 50 Ohms

Maximum Power . 150 Watts

Antenna Type. Dual 1/2 wave over a 1/4 wave

Mechanical

Feed Connection. N type female

Radiator Material. .1" (.25cm) diameter stainless steel, bright finish

Rod Ferrule. 5/16" - 24 thread; bright chrome plated brass

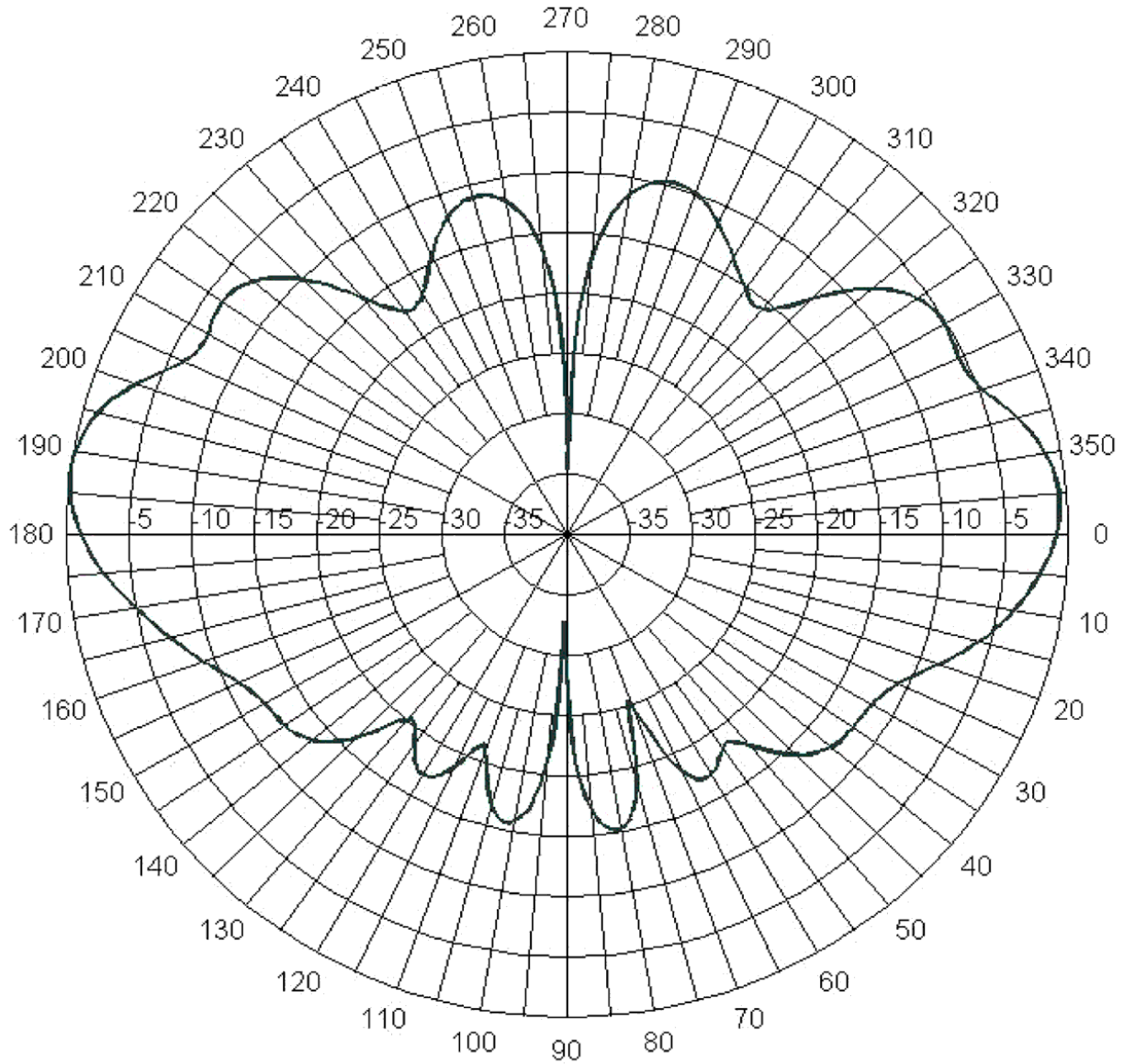
Base Coil Housing. Molded polymer with a plated brass insert ring and a spring loaded brass contact pin

Max Length. 22" (55.9cm)

MOUNTING HARDWARE

2" Hose Clamp. Qty 2 provided.
For securing 'L' Bracket to vertically mounted pole.

RADIATION VERTICAL



ALLIANCE PARTNERS



3535 Factoria Blvd. SE
Suite 100
Bellevue, WA 98006 USA
info@data-linc.com

Tel: (425) 882-2206
Fax: (425) 867-0865
www.data-linc.com

Specifications subject to change without notice.
©2004, Data-Linc Group. All rights reserved.
Smart Spectrum is a trademark of Data-Linc Group.
All other trademarks are the property of their respective owners.

P/N 155-09986-001A

rev 7/04