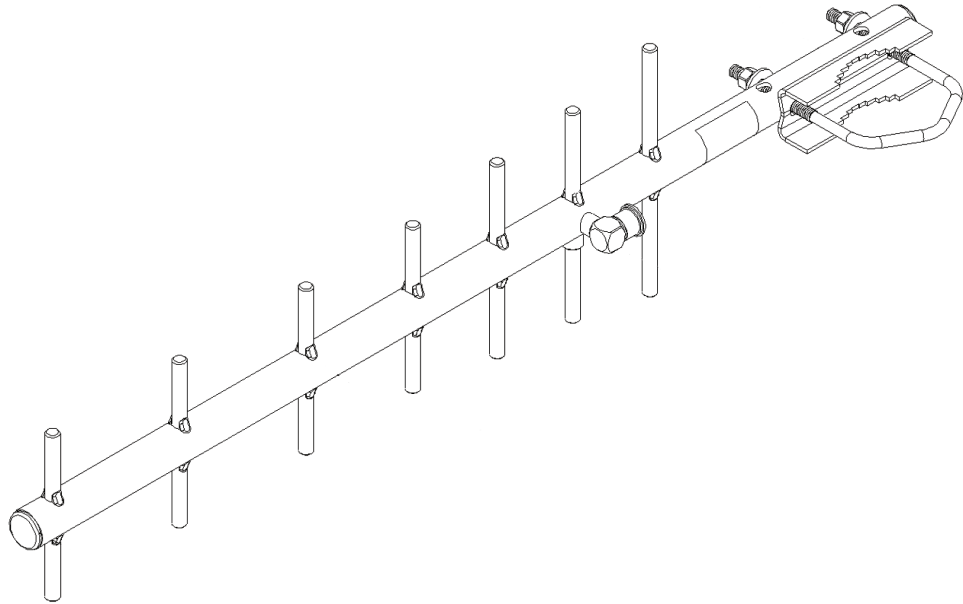


A-YHB

890-960 MHz

7 ELEMENT YAGI ANTENNA



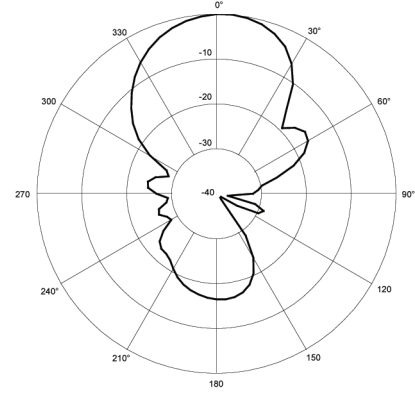
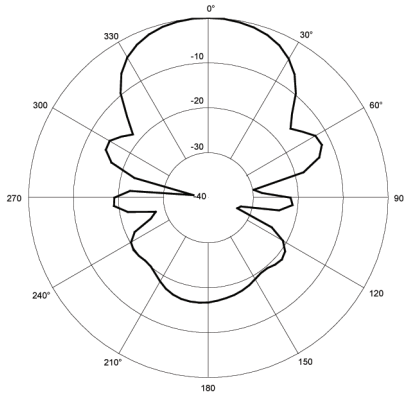
ELECTRICAL/MECHANICAL SPECIFICATIONS

Frequency. 890 -960 MHz
Nominal Impedance. 50 Ω
VSWR. 2:1 Max
Gain (radiating element). 11 dBi \pm .5 dB
Radiation Pattern.
 -3 dB Beamwidth
 Horizontal Plane. $54^{\circ} \pm 2^{\circ}$
 Vertical Plane. $45^{\circ} \pm 2^{\circ}$
 Side lobe level
 Horizontal Plane. -15 dB
 Vertical Plane. -15 dB
 Cross Polarization level
 Horizontal Plane. -15 dB Typ
 Vertical Plane. -15 dB Typ
Front to back ration. -15 dB min
Polarization. Vertical
Power withstanding. 300 W
Connector type. N-female
Weight. 720 g
Wind-loading. 100 MPH
Overall length. 750 mm
Fixing systems. Pole clamp
Azimuth adjustment. 360°

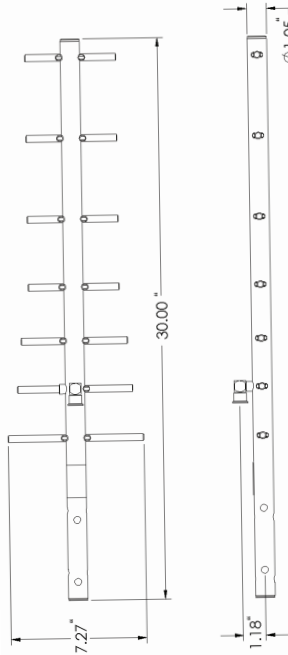
RADIATION PATTERNS

HORIZONTAL

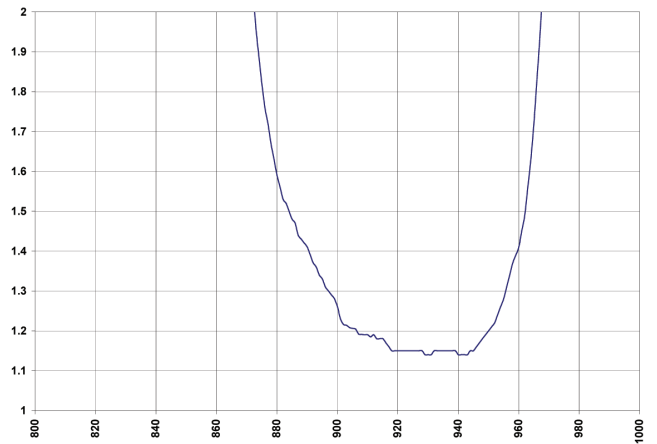
VERTICAL



DIMENSIONS



VSWR



ALLIANCE PARTNERS



3535 Factoria Blvd. SE
Suite 100
Bellevue, WA 98006 USA
info@data-linc.com

Tel: (425) 882-2206
Fax: (425) 867-0865
www.data-linc.com

Specifications subject to change without notice.
©2004, Data-Linc Group. All rights reserved.
Smart Spectrum is a trademark of Data-Linc Group.
All other trademarks are the property of their respective owners.

P/N 155-09917-001A

rev 6/04