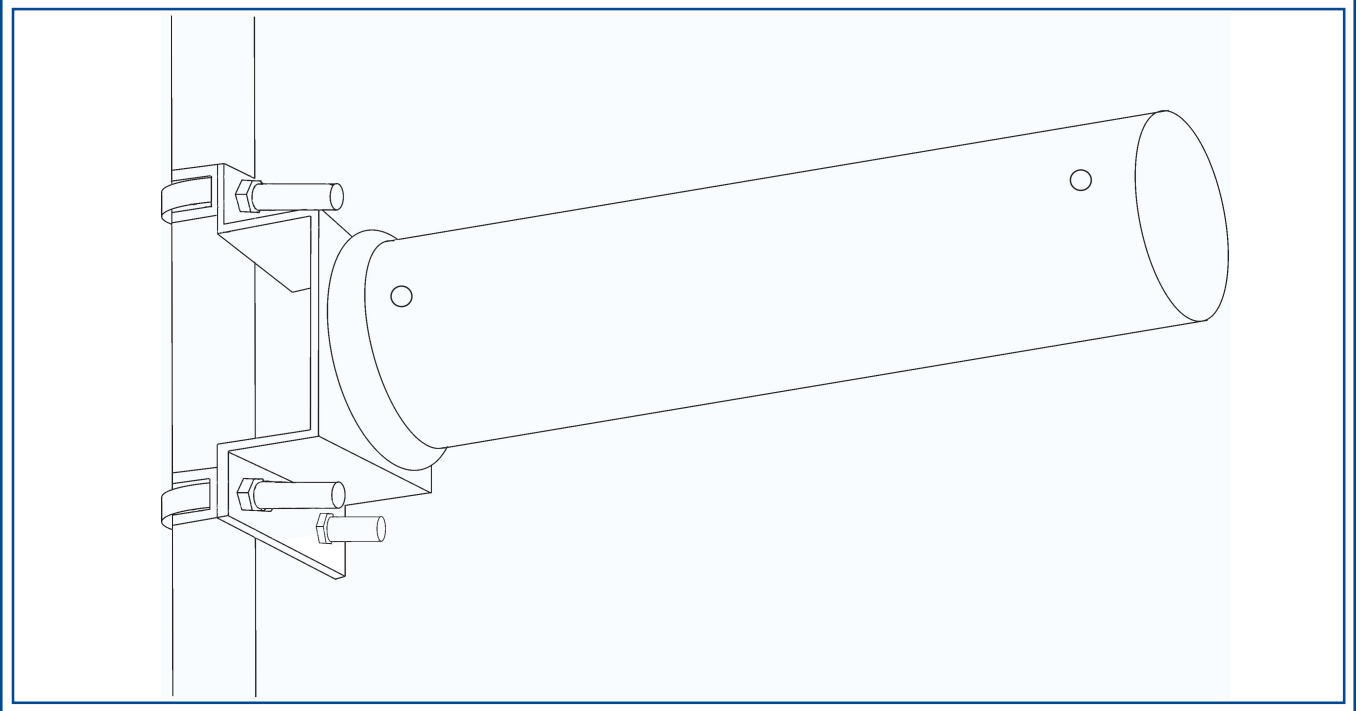


A-FL-YB-14M

2.4 - 2.485 GHz

FULLY ENCLOSED YAGI ANTENNA



ELECTRICAL/MECHANICAL SPECIFICATIONS

Frequency. 2.4-2.485 GHz

Nominal Gain. 14 dBi

VSWR. 1.5:1 Max

Front to Back Ratio. 30 dB

Radiation Pattern @ 1/2 power

Horizontal. 30°

Vertical. 30°

Maximum Power. 5 Watts

Weight. 1 lb (.5 kg)

Wind-loading. 125 mph @ 18.3 lbs of lateral thrust

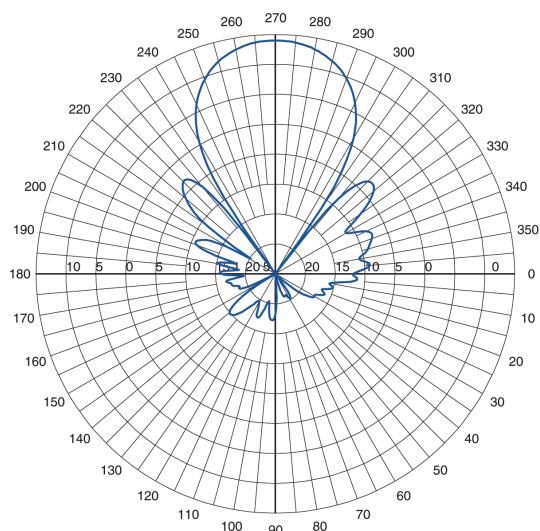
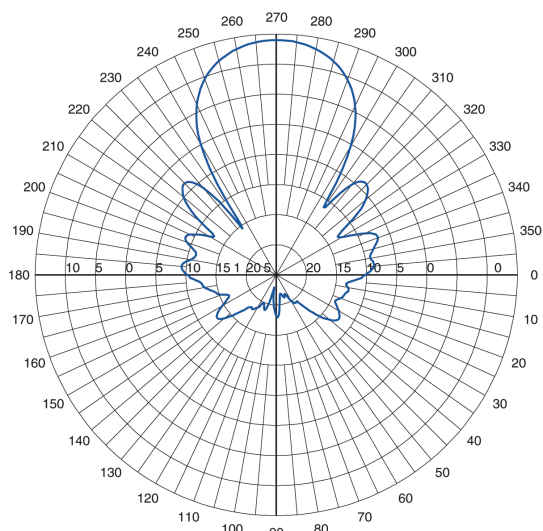
Equivalent Flat Plate Area. 0.20 ft²

Overall length. 14 in L x 3 in OD (356 mm L x 76 mm OD)

RADIATION PATTERNS

HORIZONTAL

VERTICAL



ALLIANCE PARTNERS



3535 Factoria Blvd. SE
Suite 100
Bellevue, WA 98006 USA
info@data-linc.com

Tel: (425) 882-2206
Fax: (425) 867-0865

www.data-linc.com

Specifications subject to change without notice.
©2004, Data-Linc Group. All rights reserved.
Smart Spectrum is a trademark of Data-Linc Group.
All other trademarks are the property of their respective owners.

P/N 155-09921-001A

rev 6/04