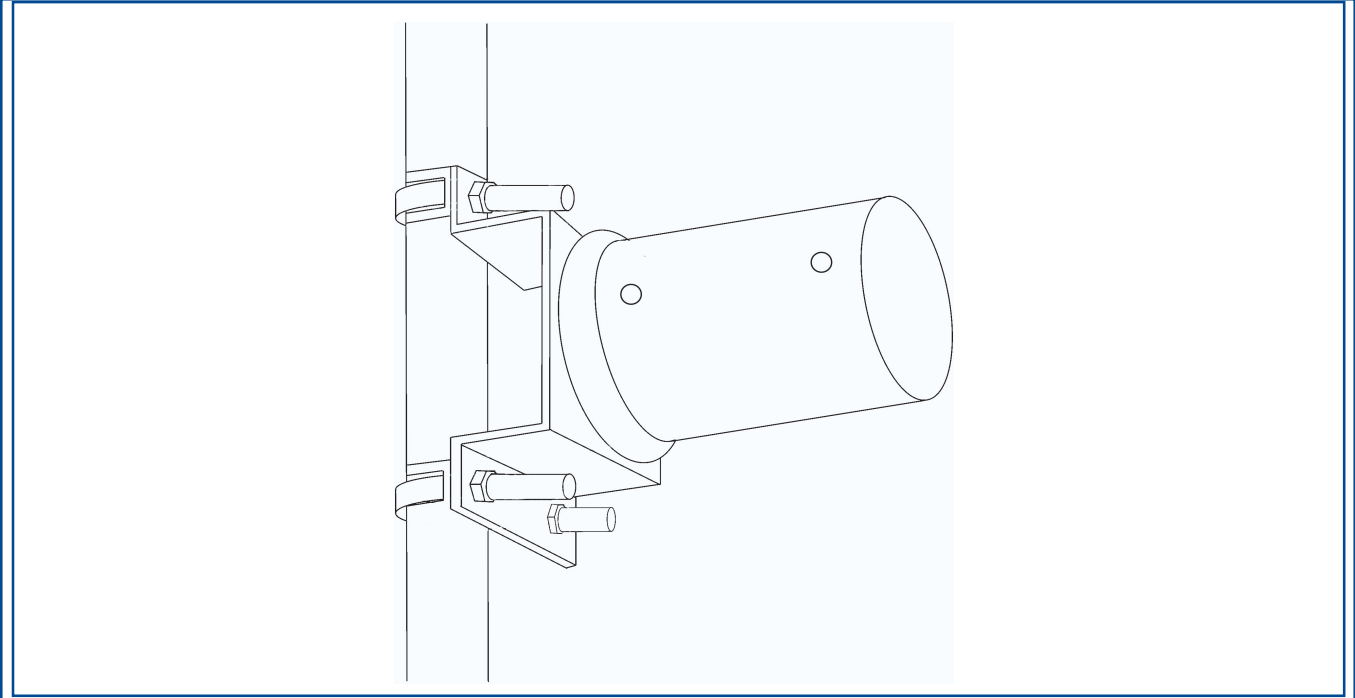


# A-2.4-YB

2.4-2.485 GHz

FULLY ENCLOSED YAGI ANTENNA



## ELECTRICAL/MECHANICAL SPECIFICATIONS

**Frequency.** 2.4-2.485 GHz

**Nominal Gain.** 10 dBi

**VSWR.** 1.5:1 Max

**Front to Back Ratio.** 23 dB

**Radiation Pattern @ 1/2 power**

**Horizontal.** 55°

**Vertical.** 55°

**Maximum Power.** 5 Watts

**Weight.** 1 lb (.5 kg)

**Wind-loading.** 125 mph @ 5.8 lbs of lateral thrust

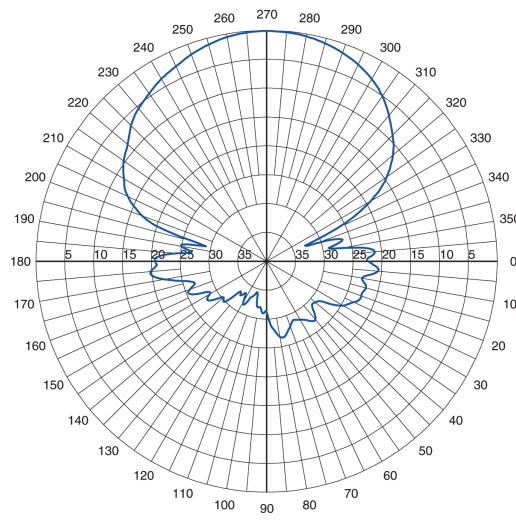
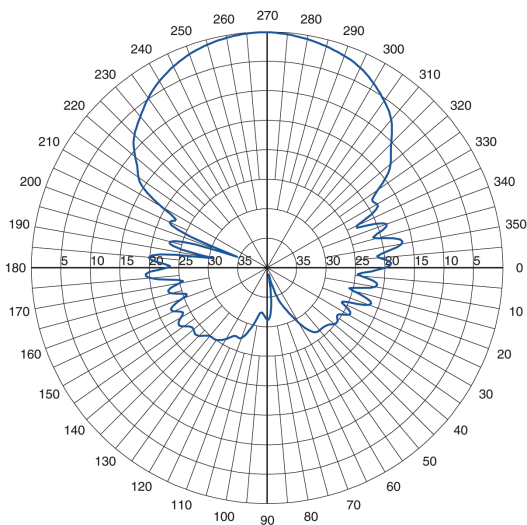
**Equivalent Flat Plate Area.** 0.060 ft<sup>2</sup>

**Overall length.** 4.5 in L x 3" OD  
(114 mm L x 76 mm OD)

# RADIATION PATTERNS

## HORIZONTAL

## VERTICAL



## ALLIANCE PARTNERS



3535 Factoria Blvd. SE  
Suite 100  
Bellevue, WA 98006 USA  
info@data-linc.com

Tel: (425) 882-2206  
Fax: (425) 867-0865  
www.data-linc.com

Specifications subject to change without notice.  
©2004, Data-Linc Group. All rights reserved.  
Smart Spectrum is a trademark of Data-Linc Group.  
All other trademarks are the property of their respective owners.

P/N 155-09916-001A

rev 7/04